

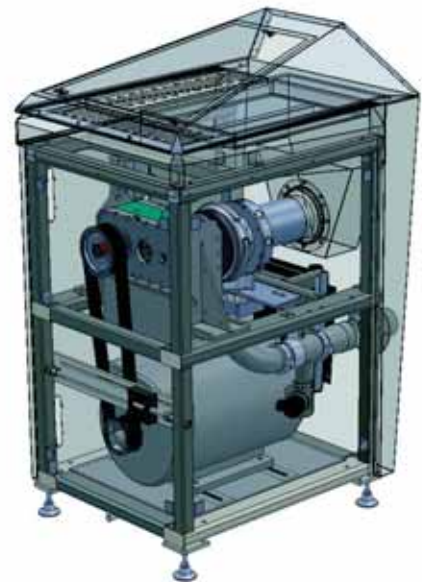
Turbo Blower



- ❖ Uses 25-40% less energy than a PD Pump
- ❖ Two year warranty
- ❖ Can be fitted into existing PD Pump packages
- ❖ Small footprint
- ❖ Operates at higher pressure than PD Pump
- ❖ Reduced sound level often silencer not needed
- ❖ Available with mechanical or electronic controls

The Turbo Blower is an energy efficient alternative to the PD Pump providing a simple solution for manufacturers needing to reduce energy usage. The Turbo Blower not only increases energy efficiency, it also generates more pressure increasing system capacity.

The Turbo Blower is used in pressure dilute phase and runs between 30,000 - 60,000 rpm.



The Turbo Blower is a perfect fit for a wide range of applications including but not limited to:

- Food Products
- Ag/Grain
- Pet Food
- Chemical
- Petrochemical



Mac Process Inc.
7901 NW 107th Terrace
Kansas City, MO 64153-1910
T +1 800 821 2476
F +1 816-891-8336
sales@macprocessinc.com
www.macprocessinc.com